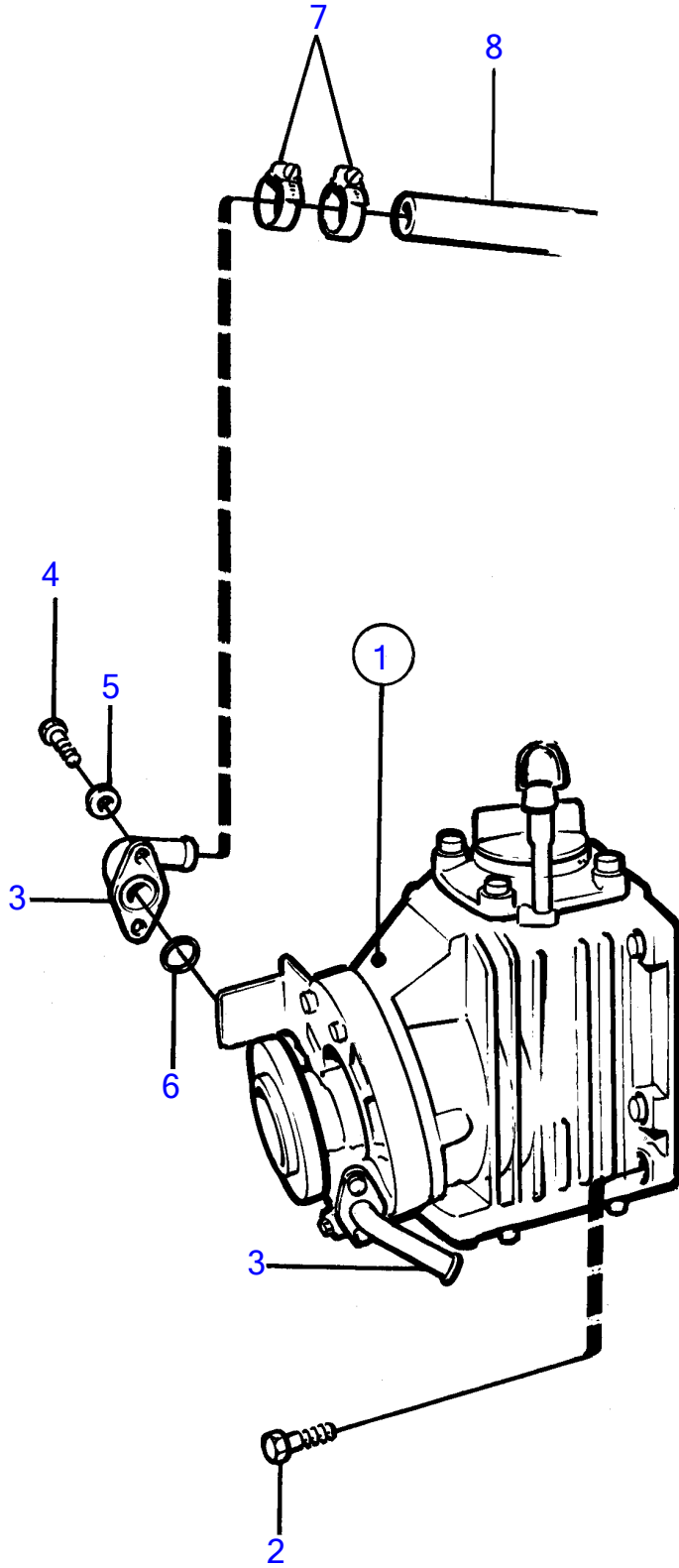


MD2010A, MD2020A, MD2030A, MD2040A



16132

MD2010A, MD2020A, MD2030A, MD2040A

REF	PART NO.	QTY	DESCRIPTION	SEE SEC.	NOTES
1		1	Reversing gear		
			.		
			.	212	
2	965185	6	Flange screw		
3		2	Coolant pipe		Included in complete reverse gear
4		4	Screw		Included in complete reverse gear
5		4	Spring washer		Included in complete reverse gear
6		2	Sealing ring		Included in complete reverse gear
7	961666	2	Hose clamp		
8	943369	X	Rubber hose		Intake-sea water pump.